

Remote Refrigerated Low Profile End Cap Merchandiser

RRMR-EDCP-LPRO-48, SCMR-EDCP-LPRO-48, RRMR-EDCP-LPRO-60, SCMR-EDCP-LPRO-60,

APPLICATIONS

- Self-service merchandiser for “ready to eat” products, drinks.
- Impulse sales
- Add ons
- Remote Forced air refrigeration
- Medium temperature (36°- 40°)

STANDARD FEATURES

CABINET CONSTRUCTION

- Base Cabinet and Counter Top consist of 3/4” plywood panels finished in high pressure plastic laminate
- Powder coated assembly, canopy, & Interior
- Lighted Canopy with LED fixtures
- Solid back panel
- Protective 1” vinyl bumper (Black)

SHELVING

- Two-tier style for displaying “ready to eat” products
- 1-1/4” Price tag molding on shelves

REFRIGERATION SYSTEM

- Remote with standard control
- Drains to floor drain

ELECTRICAL REQUIREMENTS

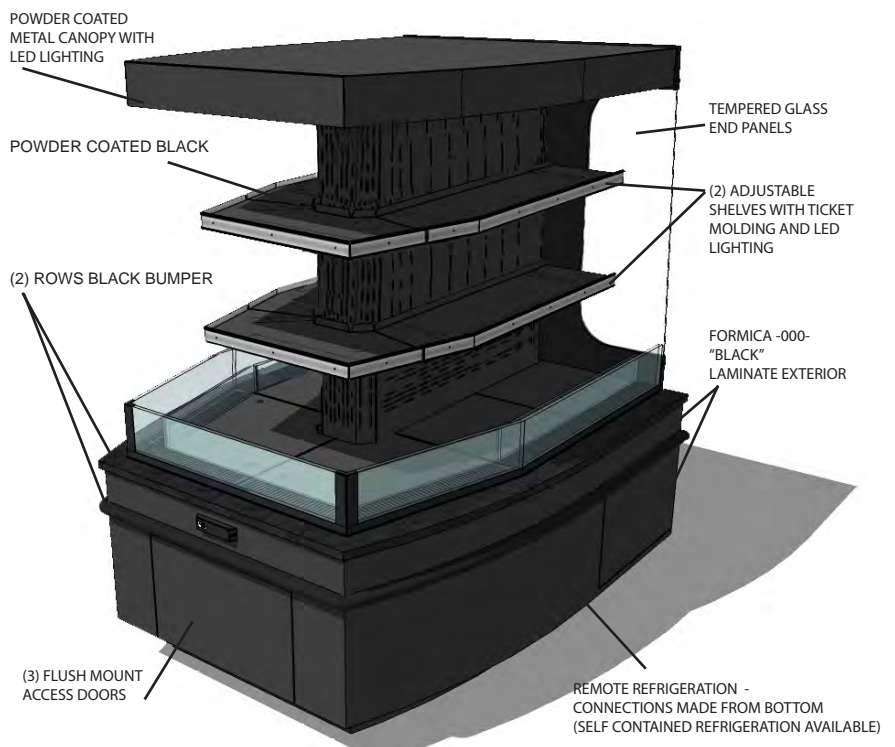
- Pre-wired to 120V/208A plug, 60Hz, 1 phase circuit. (see reverse for details)

WARRANTY

- One year - Parts and Labor

OPTIONS / ACCESSORIES

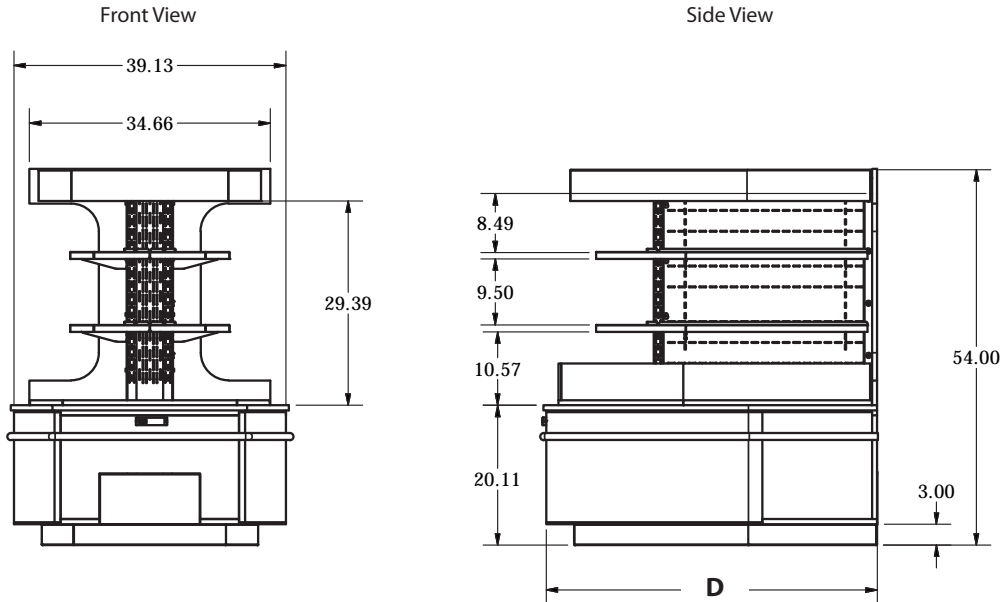
- Self Contained refrigeration with condensate evaporation pan
- Assorted colors available for laminate, vinyl bumper and powder coat
- Stainless steel interior & canopy assembly
- Stainless or mirrored laminate accent strip between bumper and counter top
- Base to be solid, adjustable legs or legs with removable toe-kick
- Circuit Breaker Panel instead of junction box
- Optional condensate removal devices available to eliminate need for plumbing
- Glass end panels
- LED shelf lights



Engineered for stores with ambient conditions not to exceed 75°F and 55% relative humidity. Due to continuous improvements specifications may change without notice.

Built to meet the following specifications:





Refrigerated Low-Profile End Cap Merchandiser	Dimensions (inches)		
	W	D	H
40" x 48"	40"	48"	54"
40" x 60"	40"	60"	54"

Models available with either Remote (RR) or Self-Contained(SC) Refrigeration

Condensate Removal devices available to eliminate the need for plumbing.

ELECTRICAL / REFRIGERATION SPECIFICATIONS - BASED ON 40" X 48" UNIT

ELECTRICAL REQUIREMENTS - ON 6' CORD NEMA 5-15 PLUG							
QTY	DESCRIPTION	MANUFACTURER	MODEL #	VOLTAGE	AMPS	15A	15A
5	CANOPY LED LIGHTS	ELECTRALED	2-2"; 1-1"	120	2	2	
9	SHELF LED LIGHTS	ELECTRALED	6-2"; 3-1"	120	1	1	
2	FANS	EMBPAST	W1G200-EC95	120	2	2	
TOTAL AMPS PER LINE					5	5	
OPTIONAL SELF CONTAINED REFRIGERATION - 5-15P, 6' CORD SET WILL BE INCLUDED							
1	OPTIONAL CONDENSING UNIT	TECUMSEH			11.7		11.7
1	OPTIONAL CONDENSATE PAN	SUPCO	CP807	120	8.34	8.34	
TOTAL AMPS PER LINE						13.34	11.7
TOTAL ELECTRICAL REQUIRED IS 120 V, 60 Hz, 1 PH					20.04		

REFRIGERATION SPECS - FOR SELF CONTAINED OPTION - 5-15P, 6' CORD SET WILL BE INCLUDED						
QTY	DESCRIPTION	MANUFACTURER	MODEL #	BTU'S TOTAL	EVAP TEMP	REF. TYPE/OZ.
1	AIR OVER DISPLAY	R&D FIXTURES	N/A	8,000	+20°	404-A
1	OPT. LOW PROFILE CONDENSING UNIT	TECUMSEH	HGA9466ZXAXM	6614	+20°	404-A