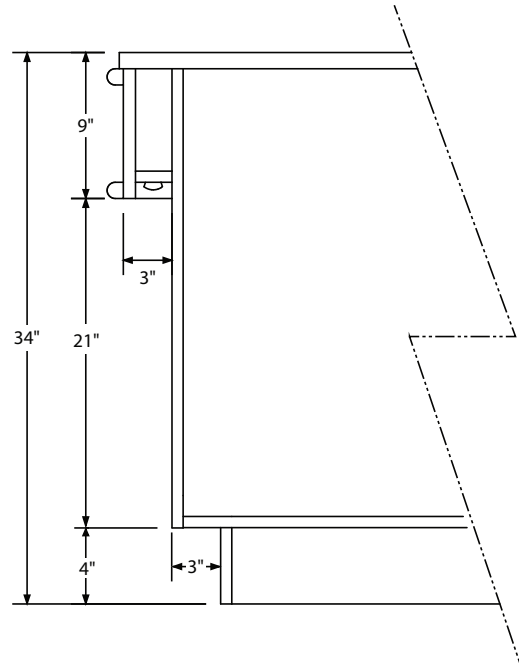
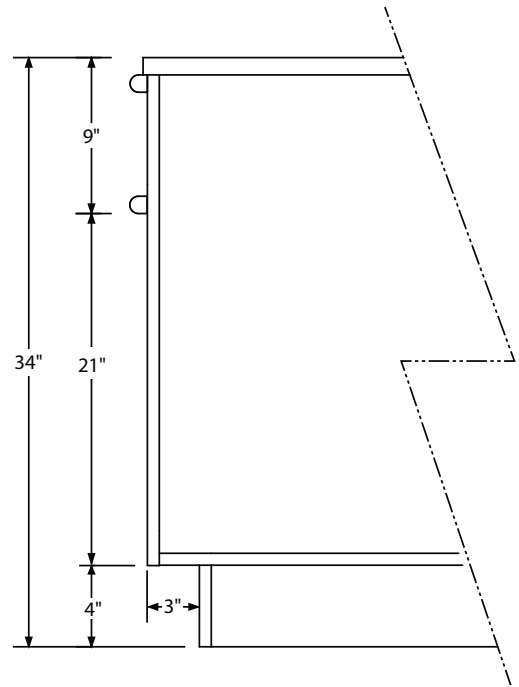


Bar profile with accent provides area for under-accent lighting. Stepped styling adds formality to design.



Bar profile without accent is modern and simple. Flows well with other fixtures.

Depending on other choices this unaccented style may be more budget-friendly.



Built to meet the following specifications:

