

Inline Salad Bar Options

APPLICATIONS

- Food bar line-ups

OPTIONS

CABINET

#1 Exterior:

Many laminate finishes available. Price / schedule of custom finishes determined by availability and complexity of project.

#2 Counter Top:

Premium laminate colors
 Stainless Steel
 Solid Surface
 Quartz Engineered Stone

#3 Canopy

Clear View with Fixed Glass
 Clear View with Lift Up Glass
 Solid Top

#4 Accent

Accent Down Lighting
 Mirror laminate accent strip
 Stainless steel accent strip

#5 Recess

For tray or take-out containers available as counter or side recess

Tray Slides: Stainless steel tubular tray slides; corian or stainless steel tray slides

Cabinet Access Doors: Front or back

Lower Refrigerated Storage

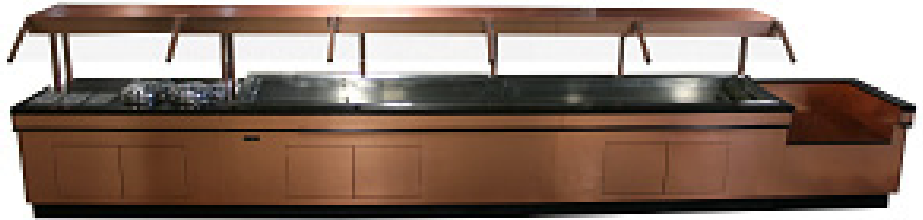
Available for 10', 12' 14' units

Electrical Connection

Circuit Breaker Panel

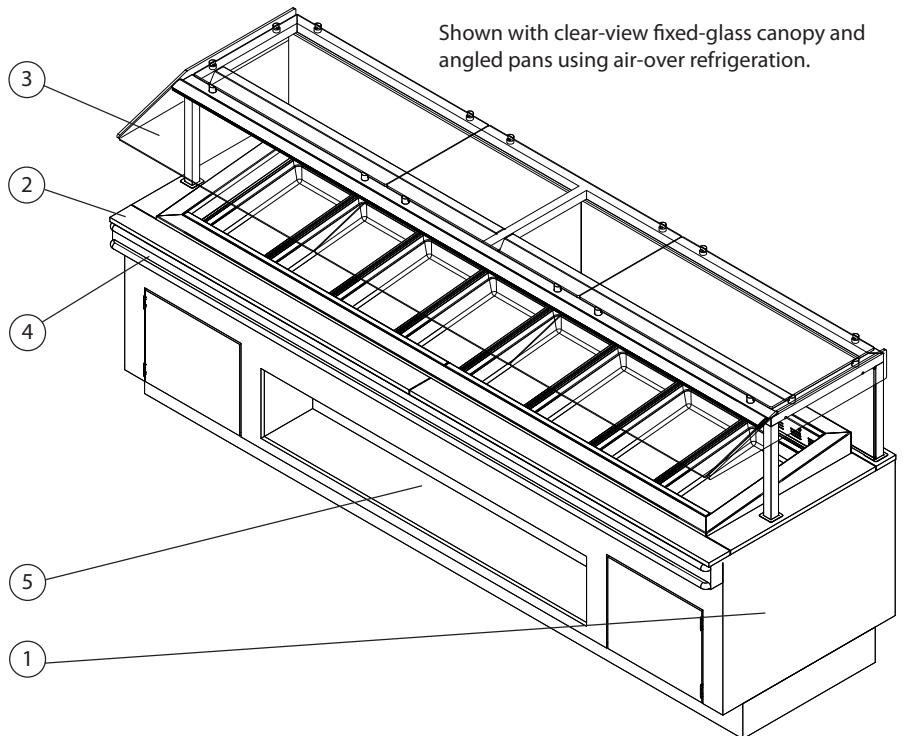
Warranty

Extended compressor warranty available



Shown with Tray Recess (right end) and Soup Station (left end)

End Stations are available without sneeze guards.
 Sneeze Guards are required in some jurisdictions so check with your local health department before ordering.



Shown with clear-view fixed-glass canopy and angled pans using air-over refrigeration.

Engineered for stores with ambient conditions not to exceed 75°F and 55% relative humidity. Due to continuous improvements specifications may change without notice.

Built to meet the following specifications:



APPLICATIONS

- Inline food bar end station for trays, containers, or soup
- Angled or flat wells
- Add container, tray storage or hot food area to a salad bar

STANDARD FEATURES

- Base of cabinet and countertop finished with high pressure blackplastic laminate
Optional colors available
- 2 rows of protective vinyl bumper and corner guards.
- Solid top canopy to include LED lighting.
Optional tempered glass
- Soup End Caps come with soup inserts, lids, ladles, 2 cup dispensers, 2 napkin dispensers and 2 Bain Maries.
- 3 rows of protective vinyl bumper and corner guards.
- Warranty is one year parts and labor.

CANOPY

- Stainless Steel frame with solid top
- Lift-up tempered glass sneeze guard
- LED lighting

ELECTRICAL

- Unit is pre-wired and furnished with a junction box for use on a dedicated 120/208V, 60Hz, 1 phase circuit.

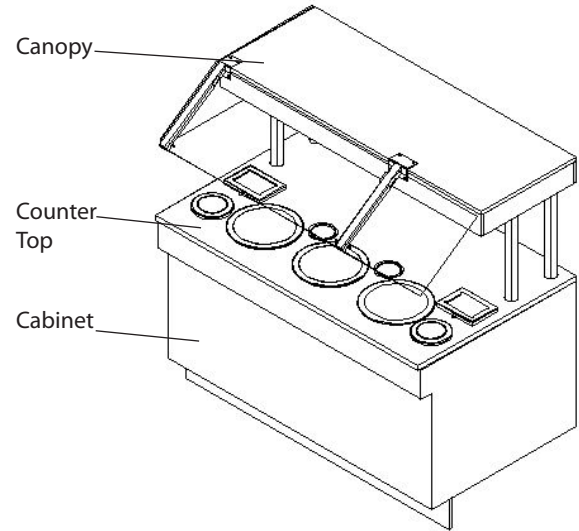
WARRANTY

- Warranty is one year parts and labor.

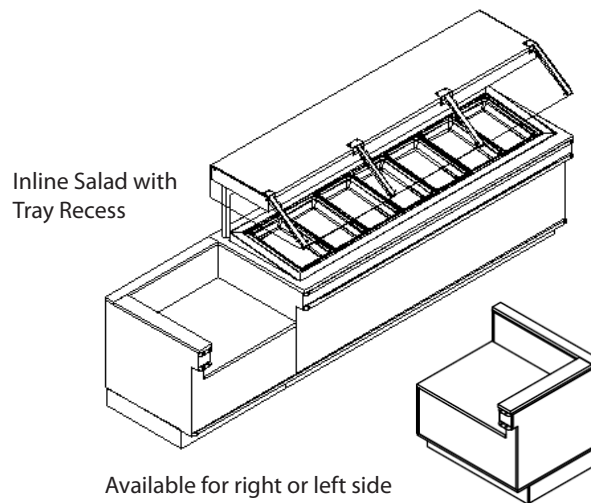
OPTIONS

- "Clear View" tempered glass Canopy Top
- Rear or front doors.
- Counter top options include many premium laminate colors, stainless steel, solid surface, or quartz engineered stone
- Mirror laminate or Stainless Steel accent strip
- Mirrored rear wall
- Custom configurations

Soup End Station



Tray Recess



Engineered ambient conditions not to exceed 75°F and 55% relative humidity. Due to continuous improvements specifications may change without notice.