

Refrigerated Grab-N-Go Merchandiser

R-GNG-LPRO-3, R-GNG-LPRO-4, R-GNG-LPRO-6

APPLICATIONS

- Self-service merchandiser for packaged deli items/sandwiches.
- Impulse sales
- Add ons
- Forced air refrigeration
- Medium temperature (36°- 40°)

STANDARD FEATURES

CABINET CONSTRUCTION

- Galvanized steel frame construction
- Finished in high pressure plastic laminate
- Stainless steel interior
- Solid side panels

SHELVING

- Three shelves with ticket molding standard on all models.
- Adjustable to 3 angled positions
- Removable stainless steel deck pans
- LED lights illuminate shelf area below

REFRIGERATION SYSTEM

- Self-contained refrigeration
- Drains to condensate pan
- Energy saving EC motor
- Automatic self defrost
- Solar thermometer and refrigeration control on front of unit

ELECTRICAL REQUIREMENTS

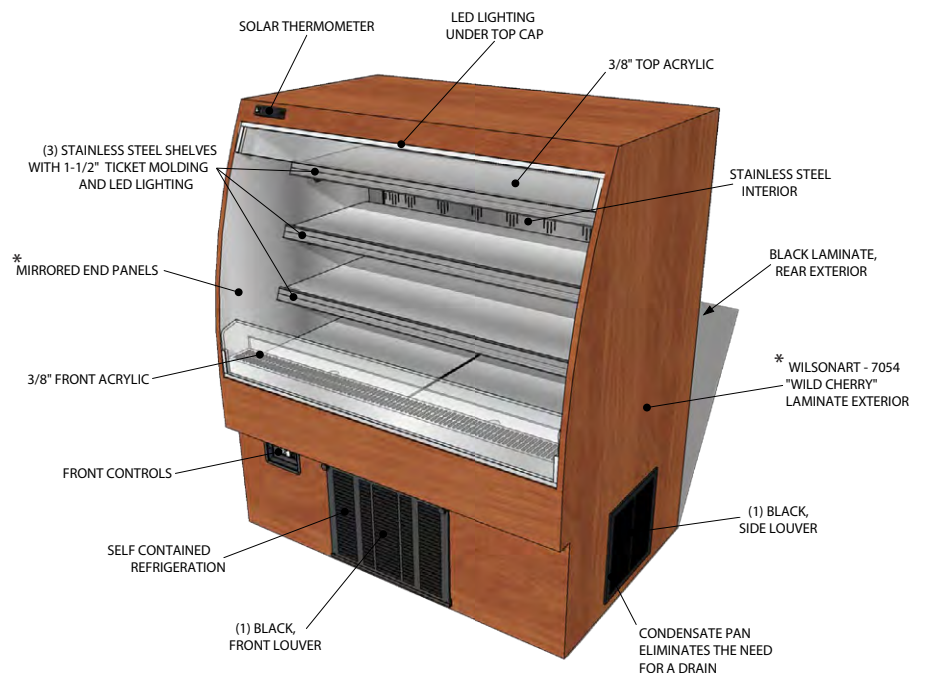
- Pre-wired to 120V/208A plug, 60Hz, 1 phase circuit. (see reverse for details)

WARRANTY

- One year - Parts and Labor

OPTIONS / ACCESSORIES

- Many other laminate finishes available
- Assorted colors for vinyl bumper
- Black Powder Coated interior
- Mirrored or stainless steel interior end panels
- Glass end panels
- Pull down night curtain keeps cold air inside to save energy
- Optional condensate removal devices available to eliminate need for plumbing.
- Remote refrigeration



*Units shown have been customized with typical options.
 Standard Unit pricing includes black laminate exterior with solid side panels.

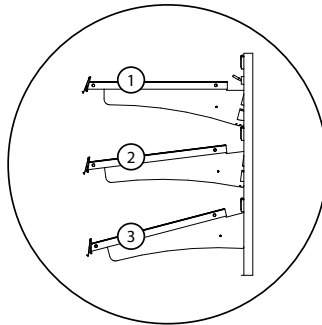
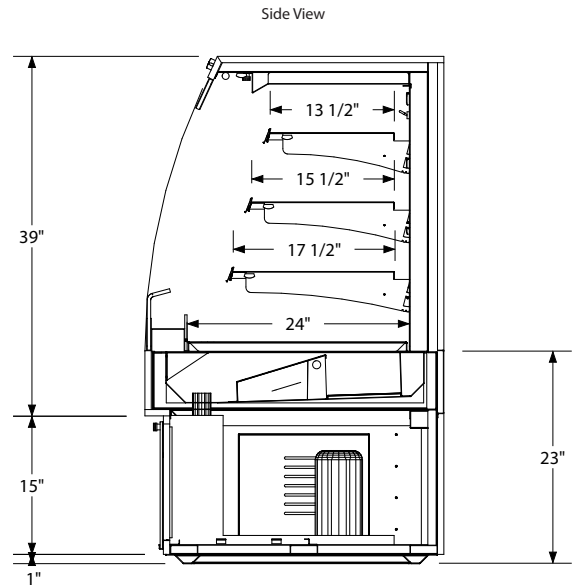
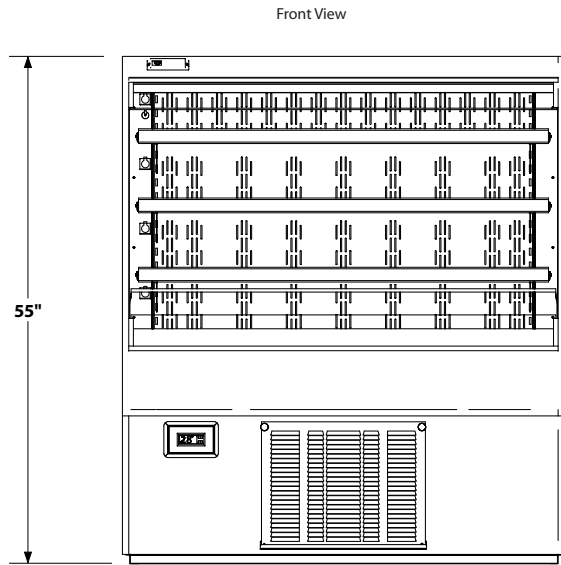
Engineered for stores with ambient conditions not to exceed 75°F and 55% relative humidity. Due to continuous improvements specifications may change without notice.

Built to meet the following specifications:

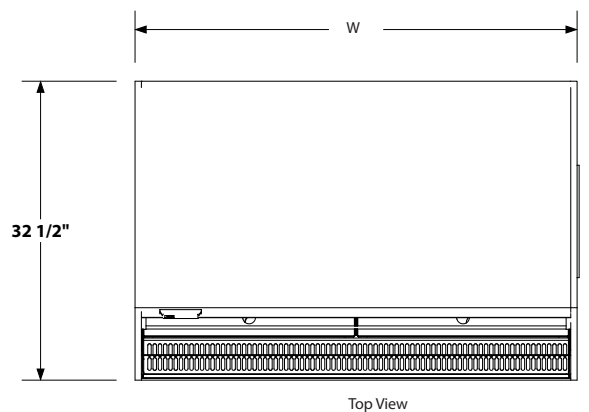


Refrigerated Grab-N-Go Merchandiser

R-GNG-LPRO-3, R-GNG-LPRO-4, R-GNG-LPRO-6



Shelves can be adjusted to 3 different angled positions



| Unit Width | Dimensions (inches) | | |
|------------|---------------------|--------|----|
| | W | D | H |
| 3' | 36 | 32 1/2 | 55 |
| 4' | 48 | 32 1/2 | 55 |
| 6' | 72 | 32 1/2 | 55 |

ELECTRICAL/REFRIGERATION SPECIFICATIONS - (BASED ON A 48" UNIT)

ELECTRICAL REQUIREMENTS - ON 6' CORD NEMA 14-20F PLUG

| QTY | DESCRIPTION | MANUFACTURER | MODEL # | VOLTAGE | AMPS EA | AMPS TOTAL |
|---|----------------------|--------------|----------------|---------|---------|------------|
| 1 | CONDENSING UNIT | TECUMSEH | AKA9460ZXAXC | 120 | 10.8 | 10.8 |
| 1 | DIGITAL TEMP CONTROL | DIXELL | XR20C | 120 | 0.025 | 0.025 |
| 1 | FAN | EBM PAPST | W1G2C0-EC95-Y7 | 120 | 0.48 | 0.48 |
| 4 | 34" LED LIGHT, 3500K | ELECTRALED | EFDS-3-3500 | 120 | 0.04 | .016 |
| TOTAL ELECTRICAL REQUIRED IS 120/208 V, 60 Hz, 1 PH | | | | | | 11.321 |

REFRIGERATION SPECS

| QTY | DESCRIPTION | MANUFACTURER | MODEL # | BTU'S EA. | EVAP TEMP | REF. TYPE/OZ. |
|-----|------------------|--------------|---------|-----------|-----------|---------------|
| 1 | AIR OVER DISPLAY | R&D FIXTURES | N/A | 4500 | +20° | 404-A |