

# NEW! Mobile Rotisserie Chicken Warmer



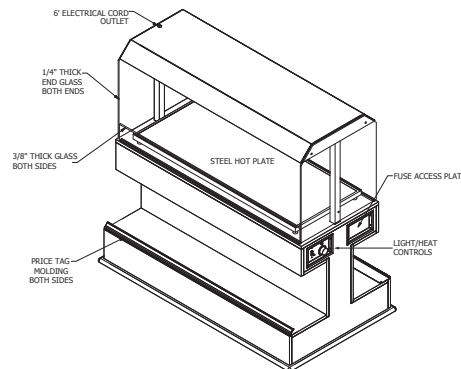
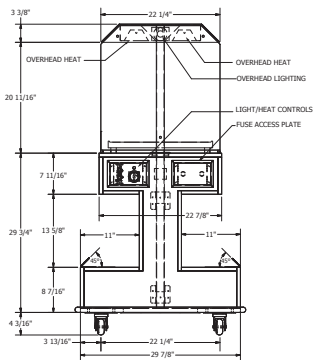
## *Mobile Rotisserie Chicken Warmer*

### Standard Features:

- Heat plate with anodized aluminum surface
- Glass side panels contain convection currents
- High pressure laminate base
- Powder coated upper section
- NSF-4 Overhead warmer
- Lower shelving provides add-on display area
- Casters provide mobility
- 1-1/4" PTM on lower display shelf

### Options:

- 6' Top mount electrical cord outlet for ceiling plug-in
- Various colors/patterns of laminate to match store decor



Our "Decor Match" philosophy insures that exterior finishes are available to match surrounding store fixtures or fit easily into a new design motif.

Call to speak to us about how we can help you meet your merchandising goals.

### Electrical Requirements (wired to 6' Cord with 5-30P NEMA / 125V 30 AMP Plug)

QTY	DESCRIPTION	Manufacturer	Model #	Voltage	Amps Each	Amps Total
1	Overhead Heat / Light	HATCO	GRAHL-48D	120	15.333	15.333
1	Hot Plate	HATCO	GRS-48-1	120	8.333	8.333
Total Amps Required 120V-60HZ-1PH						24